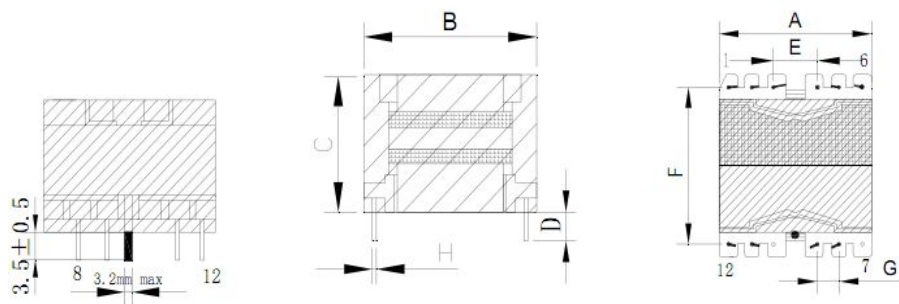


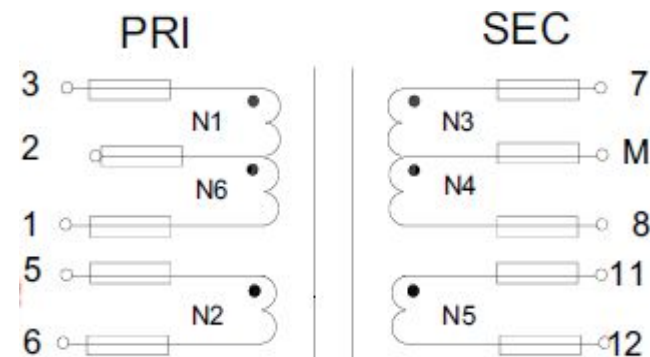
CUSTOMER TERMINAL	ROHS	Lead(Pb)-free
	YES	YES

## 1.Mechanical Dimensions



A	35.0	MAX
B	35.0	MAX
C	26.5	MAX
D	3.5	±0.5
E	7.4	±0.3
F	30.0	±0.4
G	5.0	±0.3
H	0.80	±0.1

## 2.Schematic Diagram



## 3.Material List

Core:FW44 PQ3225

Bobbin:FWB3202-1(6+6PIN)

Wire: TIW LITZ

Copper foil:0.025t\*8.0mm

Operating Temperature: -30 to115 °C

## 4.Electrical Specification

Inductance :  $L(1-3):800\mu H \pm 5\%$  50KHZ , 1.0V

Leakage Inductance :  $6\mu H$  MAX 50KHZ , 1.0V

DCR :  $(1-3)=170.6m$  MAX  $(8-7)=170.7m\Omega$  MAX

Hi-Pot:P-S: AC 60Hz 4000V 2mA 3S

P-CORE: AC 60Hz 4000V 2mA 3S

REV.	DATE	<p>Convention Placement</p>	DRW.		Drawing Title:	Part No:
0	00/00		CHK.			
ROHS			<a href="http://www.ferriwo.com">www.ferriwo.com</a>	APP.		Customer P/N